

Maintenance

The Lyric™ Controller is designed to require little maintenance. However, testing your system is strongly recommended, and regular cleaning is suggested.

- Test the system weekly.
- Test your system after any alarm occurs.

See [Testing Your System](#) for more information.

Care and Cleaning

- Do not slam sensor-protected doors or windows.
- Keep dust from accumulating on the touchscreen and sensors, particularly motion sensors and smoke or carbon monoxide detectors.
- The touchscreen and sensors should be cleaned carefully with a soft, dry cloth. Do not clean the components with water or any other liquids.
- We recommend cleaning the touchscreen weekly.

Select **Settings**  on the Home screen.

Press **Clean**. During the 15 second countdown, a soft, damp cloth can be used on the screen without affecting the controls.

NOTE: When the security system is armed, system event notifications will cancel the cleaning mode and return the system to normal operation. When the system is disarmed, only certain notifications will cancel cleaning mode.

Battery Replacement

[Home](#) > [Security](#) > [Tools](#) > [Advanced](#) > [Install Backup Battery](#)

IMPORTANT

Replace the battery pack when the Security menu displays **Low Battery** with no zone number specified.

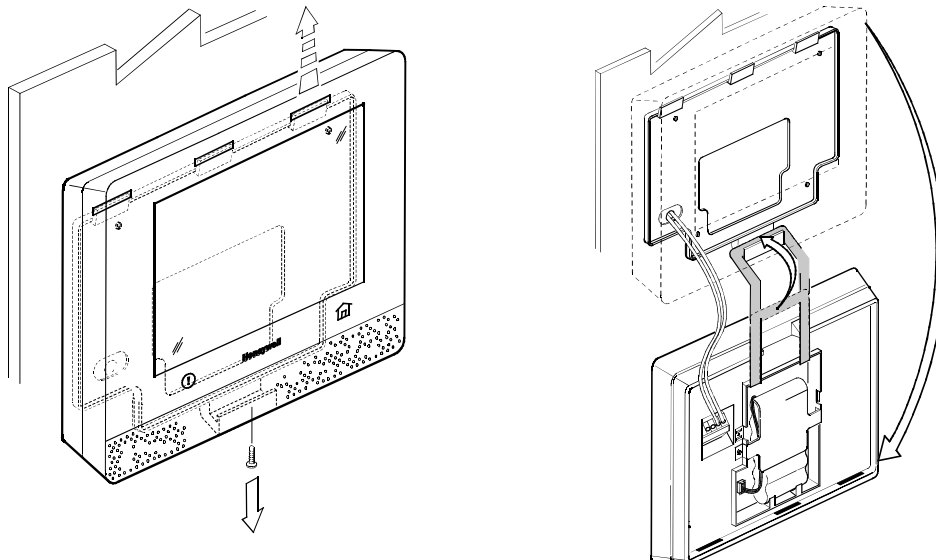
Use only batteries recommended by the installer or the manufacturer.

Disarm the system before changing the Controller's battery pack.

Remember that you must enter the Master User code for access to the Tools menu.

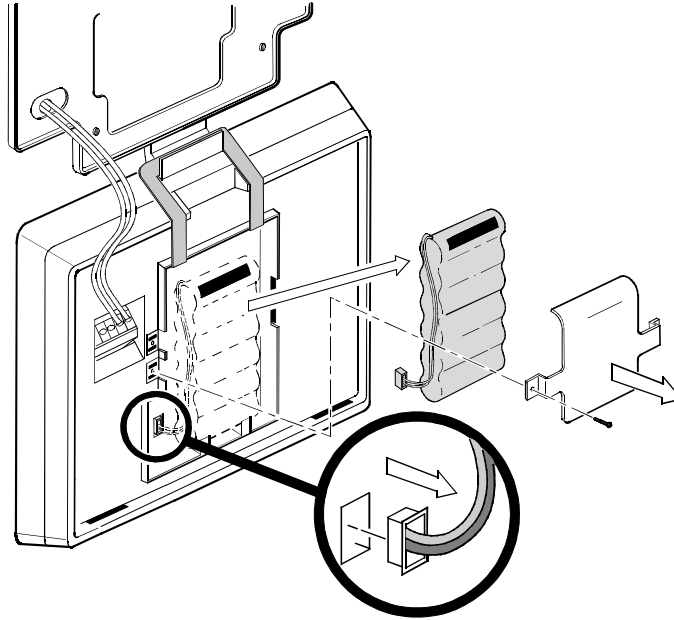
Lyric Controller

1. Select **Advanced** on the **Tools** menu.
2. Select **Install Backup Battery**. Lyric requests confirmation that you want to proceed.
3. Press **Yes** and **leave the battery installation procedure screen open**.
4. Open the Controller's case. If wall mounted, hang it from the self-contained hook as shown below.

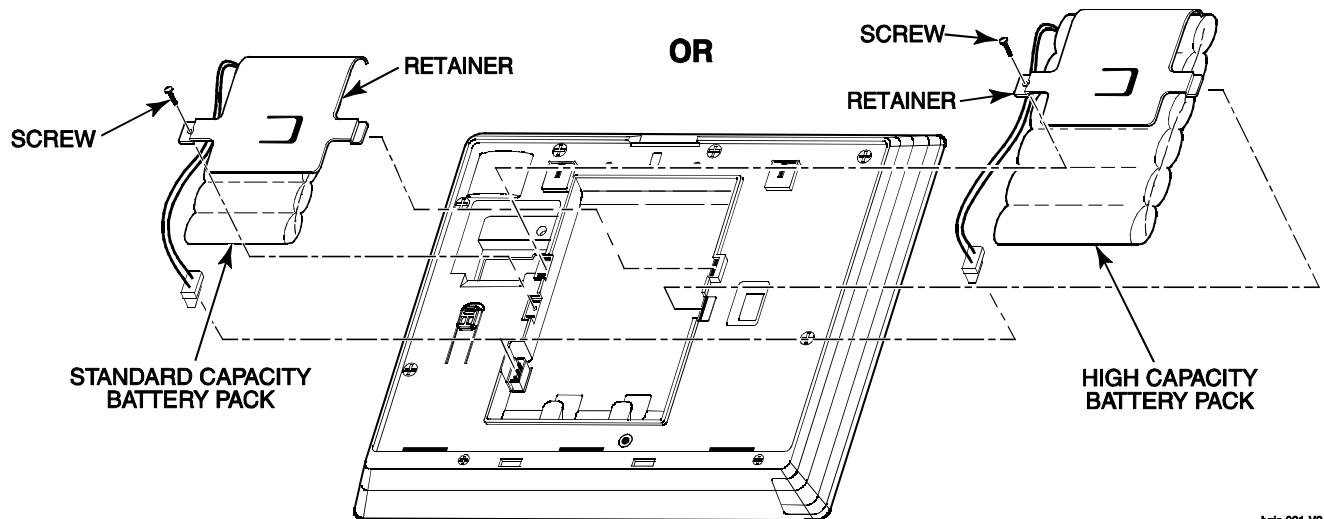


Battery Replacement (continued)

5. Unplug the battery and remove it as seen below.



6. Install the replacement battery; remember to replace the connector inside the battery compartment.
7. Depending on your choice of a standard- or high-capacity replacement battery, position the battery retainer clip as seen below.



8. Close the case and replace the screw shown in Step 4.
9. Return the Controller to its mounting location.
10. Press **OK** on the battery installation procedure screen.
11. The system confirms "Battery successfully installed".
12. Press **OK**. The system returns to the Advanced menu.
13. Press **↶** to return to the previous screen(s).

lyric-031-V2